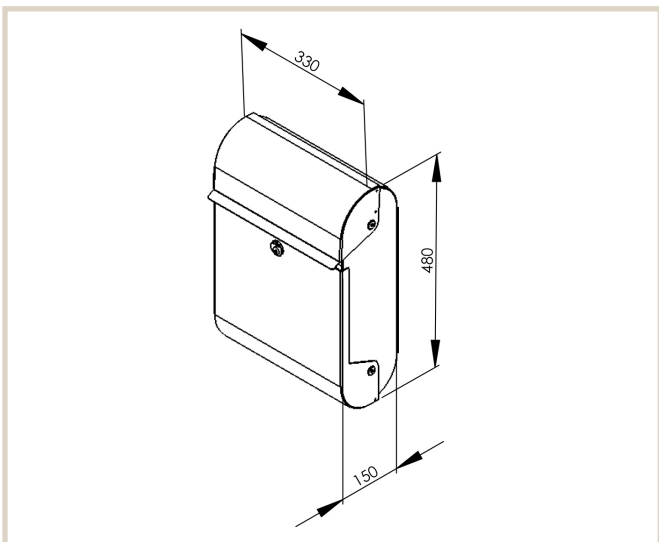


Opal 840

MEFA Opal is manufactured in an exceptionally robust and sturdy quality and with a sleek, streamlined design.

**Technical info:**

Height: 480 mm

Width: 330 mm

Depth: 150 mm

Lock:

Ruko security lock

Art. No:

Traffic white glossy : 840000

Jet black structure: 840100

Hot-dip galvanised steel: 840900

Stainless steel: 840020



Københavnsvej 75 – DK-4000 Roskilde

E-mail: info@renzgroup.dk

Tel: +45 4619 3500

www.me-fa.com