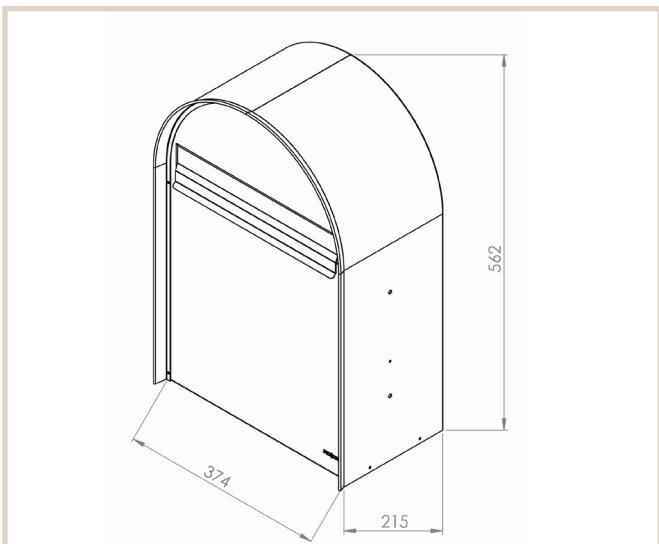


Amber 401

MEFA Amber - If you need a mailbox that you can position just inside your property, with the front towards the road and emptying from the rear.



Technical info:

Height: 562 mm

Width: 374 mm

Depth: 215 mm

Look:

MEFA security lock

Art. No:

Traffic white glossy: 401000M

Jet black structure: 401100M

Anthracite grey glossy: 401500M



Korskildeeng 6 - DK - 2670 Greve

E-mail: info@renzgroup.dk

Tel: +45 4619 3500

www.me-fa.com