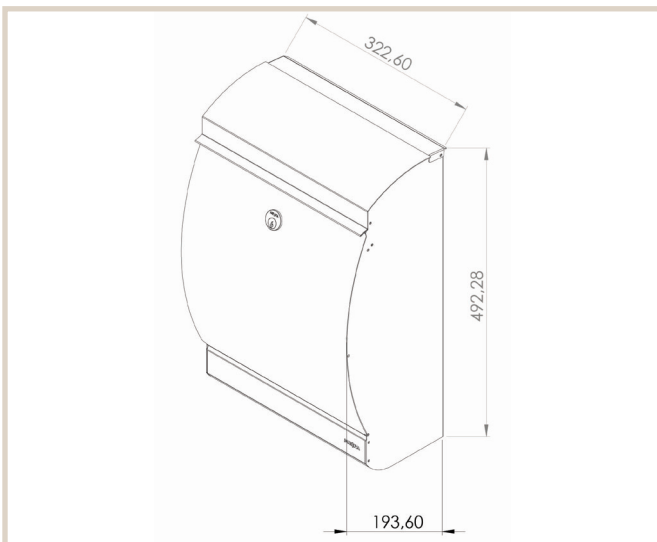


## Penguin 303

Seidenfaden Design has created the MEFA Penguin as a more spacious big brother to the popular MEFA Puffin.



### Technical info:

Height: 492 mm

Width: 323 mm

Depth: 194 mm

### Look:

MEFA security lock

### Art. No:

Traffic white glossy: 303100M

Stainless steel: 303020M

Galvanised steel: 303900M



Korskildeeng 6 - DK - 2670 Greve

E-mail: [info@renzgroup.dk](mailto:info@renzgroup.dk)

Tel: +45 4619 3500

[www.me-fa.com](http://www.me-fa.com)