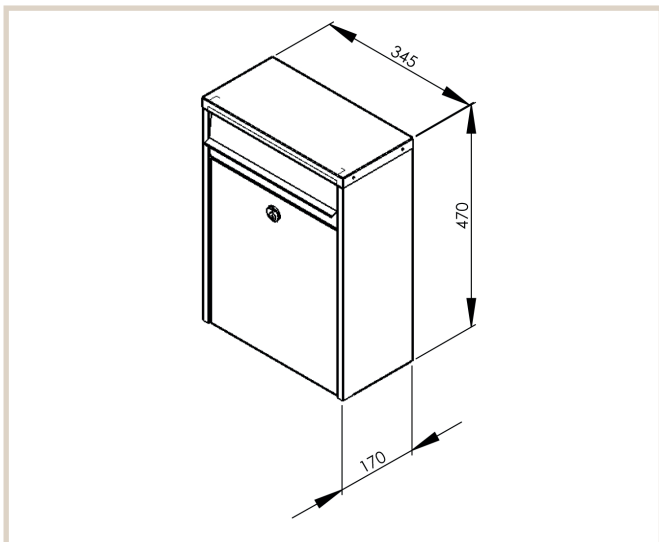


Piano 350

MEFA Piano is a tall, narrow and elegant model, particularly suitable where there is limited space. The mailbox has an integrated name plate.



Technical info:

Height: 470 mm
Width: 345 mm
Depth: 170 mm

Lock:

MEFA security lock

Art. No:

Traffic white glossy: 350030M
Jet black structure: 350110M
Basalt grey structure: 350510M
Galvanised steel: 350900M
Stainless steel: 350014M

